

# MX series

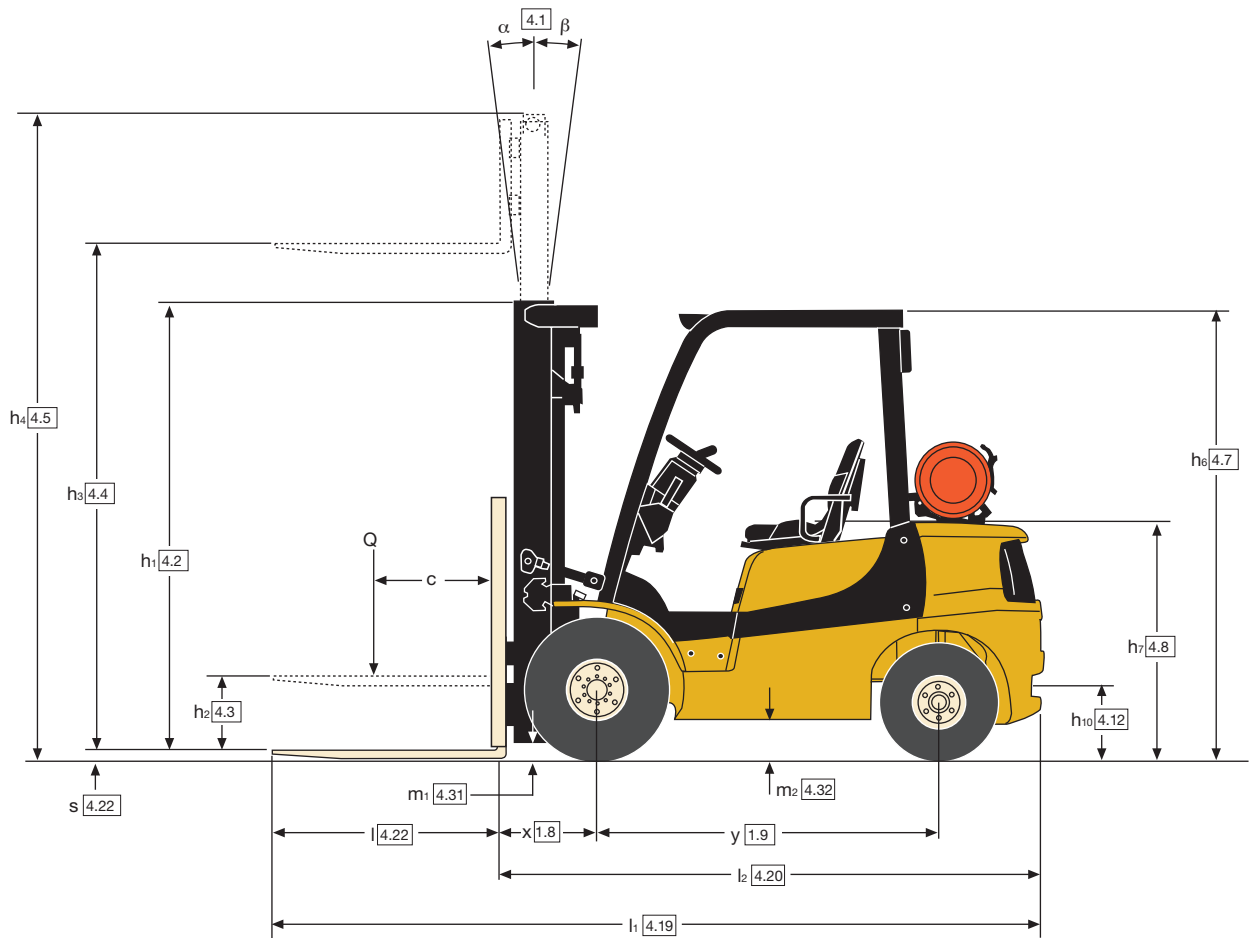
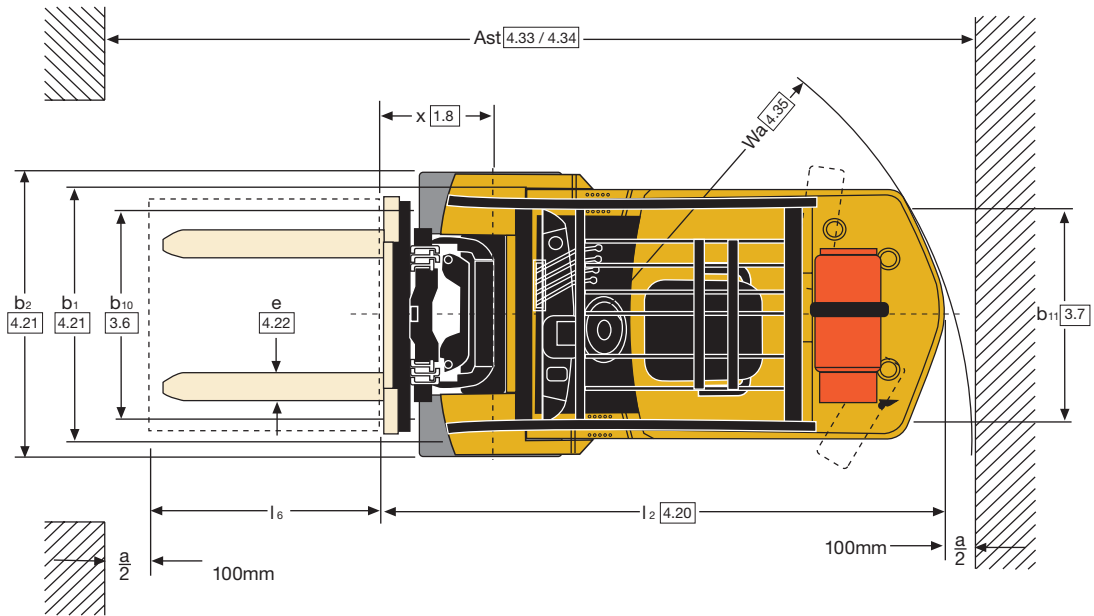
2,000kg / 2,500kg / 3,000kg

## Diesel, LPG and Dual-fuel Forklift Trucks



- Electronic Powershift transmission delivers fast load handling
- Proven components ensure excellent reliability and high productivity
- Wide range of optional extras

# Truck Dimensions



## GDP/GLP 20MX mast details and capacity ratings (kg) - Superelastic tyres

| Model                |                        |                          |                          |                        |      |   | GDP/GLP 20MX     |      |      |                  |      |      |
|----------------------|------------------------|--------------------------|--------------------------|------------------------|------|---|------------------|------|------|------------------|------|------|
| Tyre size, front     |                        |                          |                          |                        |      |   | 7.00 x 12-12     |      |      |                  |      |      |
| Overall width, front |                        |                          |                          |                        |      |   | 1140mm           |      |      |                  |      |      |
| Mast                 | h <sub>1</sub><br>(mm) | h <sub>2+s</sub><br>(mm) | h <sub>3+s</sub><br>(mm) | h <sub>4</sub><br>(mm) | Tilt |   | Forks            |      |      | ISS & FP         |      |      |
|                      |                        |                          |                          |                        | F    | B | Load centre (kg) |      |      | Load centre (kg) |      |      |
|                      |                        |                          |                          |                        |      |   | 500              | 600  | 700  | 500              | 600  | 700  |
| 2 Stage<br>LFL       | 2170                   | 140                      | 3290                     | 4515                   | 6    | 6 | 2000             | 1840 | 1680 | 1940             | 1760 | 1610 |
|                      | 2420                   | 140                      | 3790                     | 5015                   | 6    | 6 | 2000             | 1830 | 1670 | 1930             | 1750 | 1610 |
|                      | 2770                   | 140                      | 4330                     | 5555                   | 6    | 6 | 2000             | 1820 | 1660 | 1910             | 1740 | 1590 |
|                      | 3020                   | 140                      | 4830                     | 6055                   | 6    | 6 | 1900             | 1720 | 1570 | 1810             | 1650 | 1510 |
| 3 Stage<br>FFL       | 1970                   | 1380                     | 4350                     | 5570                   | 6    | 6 | 2000             | 1820 | 1660 | 1910             | 1730 | 1590 |
|                      | 2170                   | 1580                     | 4950                     | 6170                   | 6    | 6 | 1880             | 1700 | 1560 | 1790             | 1620 | 1490 |
|                      | 2420                   | 1830                     | 5550                     | 6770                   | 6    | 6 | 1730             | 1570 | 1440 | 1650             | 1500 | 1380 |
|                      | 2620                   | 2030                     | 6000                     | 7220                   | 6    | 6 | 1510             | 1470 | 1340 | 1510             | 1400 | 1280 |

## GDP/GLP 25MX mast details and capacity ratings (kg) - Superelastic tyres

| Model                |                        |                          |                          |                        |      |   | GDP/GLP 25MX     |      |      |                  |      |      |
|----------------------|------------------------|--------------------------|--------------------------|------------------------|------|---|------------------|------|------|------------------|------|------|
| Tyre size, front     |                        |                          |                          |                        |      |   | 7.00 x 12-12     |      |      |                  |      |      |
| Overall width, front |                        |                          |                          |                        |      |   | 1140mm           |      |      |                  |      |      |
| Mast                 | h <sub>1</sub><br>(mm) | h <sub>2+s</sub><br>(mm) | h <sub>3+s</sub><br>(mm) | h <sub>4</sub><br>(mm) | Tilt |   | Forks            |      |      | ISS & FP         |      |      |
|                      |                        |                          |                          |                        | F    | B | Load centre (kg) |      |      | Load centre (kg) |      |      |
|                      |                        |                          |                          |                        |      |   | 500              | 600  | 700  | 500              | 600  | 700  |
| 2 Stage<br>LFL       | 2170                   | 140                      | 3290                     | 4515                   | 6    | 6 | 2490             | 2290 | 2100 | 2420             | 2200 | 2020 |
|                      | 2420                   | 140                      | 3790                     | 5015                   | 6    | 6 | 2490             | 2280 | 2090 | 2410             | 2190 | 2010 |
|                      | 2770                   | 140                      | 4330                     | 5555                   | 6    | 6 | 2490             | 2270 | 2080 | 2400             | 2180 | 2000 |
|                      | 3020                   | 140                      | 4830                     | 6055                   | 6    | 6 | 2390             | 2160 | 1980 | 2280             | 2080 | 1900 |
| 3 Stage<br>FFL       | 1970                   | 1380                     | 4350                     | 5570                   | 6    | 6 | 2490             | 2270 | 2080 | 2390             | 2170 | 1990 |
|                      | 2170                   | 1580                     | 4950                     | 6170                   | 6    | 6 | 2360             | 2140 | 1960 | 2260             | 2050 | 1880 |
|                      | 2420                   | 1830                     | 5550                     | 6770                   | 6    | 6 | 1800             | 1800 | 1800 | 1800             | 1800 | 1750 |
|                      | 2620                   | 2030                     | 6000                     | 7220                   | 6    | 6 | 1450             | 1450 | 1450 | 1450             | 1450 | 1450 |

## GDP/GLP 30MX mast details and capacity ratings (kg) - Superelastic tyres

| Model                |                        |                          |                          |                        |      |   | GDP/GLP 30MX     |      |      |                  |      |      |
|----------------------|------------------------|--------------------------|--------------------------|------------------------|------|---|------------------|------|------|------------------|------|------|
| Tyre size, front     |                        |                          |                          |                        |      |   | 28 x 9-15        |      |      |                  |      |      |
| Overall width, front |                        |                          |                          |                        |      |   | 1206mm           |      |      |                  |      |      |
| Mast                 | h <sub>1</sub><br>(mm) | h <sub>2+s</sub><br>(mm) | h <sub>3+s</sub><br>(mm) | h <sub>4</sub><br>(mm) | Tilt |   | Forks            |      |      | ISS & FP         |      |      |
|                      |                        |                          |                          |                        | F    | B | Load centre (kg) |      |      | Load centre (kg) |      |      |
|                      |                        |                          |                          |                        |      |   | 500              | 600  | 700  | 500              | 600  | 700  |
| 2 Stage<br>LFL       | 2195                   | 150                      | 3105                     | 3105                   | 6    | 6 | 2940             | 2760 | 2520 | 2900             | 2640 | 2420 |
|                      | 2445                   | 150                      | 3605                     | 3605                   | 6    | 6 | 2940             | 2750 | 2510 | 2890             | 2630 | 2410 |
|                      | 2795                   | 150                      | 4105                     | 4105                   | 6    | 6 | 2940             | 2730 | 2500 | 2860             | 2610 | 2390 |
|                      | 3045                   | 150                      | 4605                     | 4605                   | 6    | 6 | 2840             | 2620 | 2400 | 2750             | 2510 | 2300 |
| 3 Stage<br>FFL       | 1995                   | 1315                     | 4015                     | 4015                   | 6    | 6 | 2940             | 2730 | 2500 | 2860             | 2600 | 2390 |
|                      | 2195                   | 1515                     | 4615                     | 4615                   | 6    | 6 | 2820             | 2610 | 2380 | 2730             | 2490 | 2280 |
|                      | 2345                   | 1665                     | 4915                     | 4915                   | 6    | 6 | 2760             | 2540 | 2320 | 2660             | 2420 | 2220 |
|                      | 2445                   | 1765                     | 5215                     | 5215                   | 6    | 6 | 2690             | 2460 | 2260 | 2580             | 2350 | 2160 |
|                      | 2695                   | 2015                     | 5815                     | 5815                   | 6    | 6 | 2180             | 2180 | 2110 | 2180             | 2180 | 2020 |

All values are nominal values and they are subject to tolerances.  
 For further information, please contact the manufacturer.  
 Yale products might be subject to change without notice.

Lift trucks illustrated may feature optional equipment.  
 Values may vary with alternative configurations.

## Engine Specifications

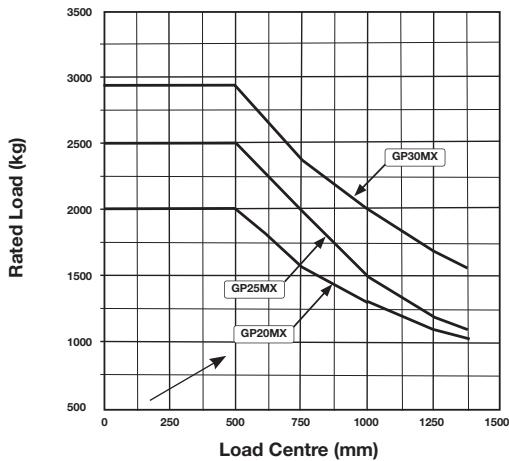
### Diesel

**Engine** Yanmar 4TNE92  
 4 cylinder Overhead valve  
 Displacement 2.6 litre  
 Power 33kW @ 2,350rpm  
 Torque 143Nm @ 1,600rpm  
 Air filtration Single stage, dry type  
 IDI fuel injection system

### LPG

**Engine** PSI  
 4 cylinder Overhead valve  
 Displacement 2.4 litre  
 Power 46kW @ 2,700rpm  
 Torque 168Nm @ 1,600rpm  
 Air filtration Single stage, dry type

### Rated Load vs. Load Centre - Standard Carriage



#### Truck configuration:

2 stage LFL mast (4330mm MFH for GDP20-25MX and 4105mm MFH for GDP30MX).  
 1067mm Standard carriage with Load Backrest.

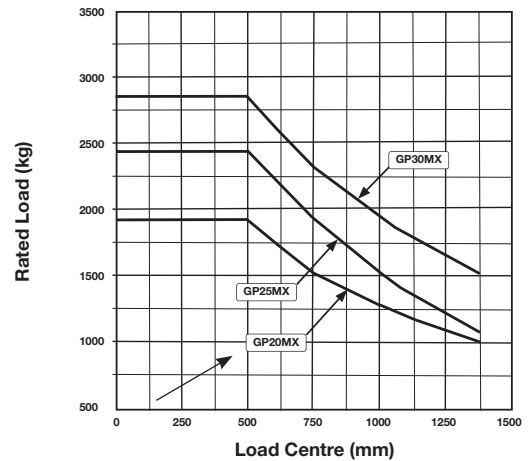
#### Basic truck:

LPG with 1 speed basic transmission and Overhead Guard.

The ratings are computed using fork lengths as follows;

|            | Load centre (mm) | Fork length (mm) |
|------------|------------------|------------------|
| All models | 500 to 775       | 2 x LC           |
|            | Over 775 to 1067 | 1525             |
|            | Over 1067        | 1825             |

### Rated Load vs. Load Centre - ISS Carriage



#### Truck configuration:

2 stage LFL mast (4330mm MFH for GDP20-25MX and 4105mm MFH for GDP30MX).  
 1067mm Standard carriage with Load Backrest.

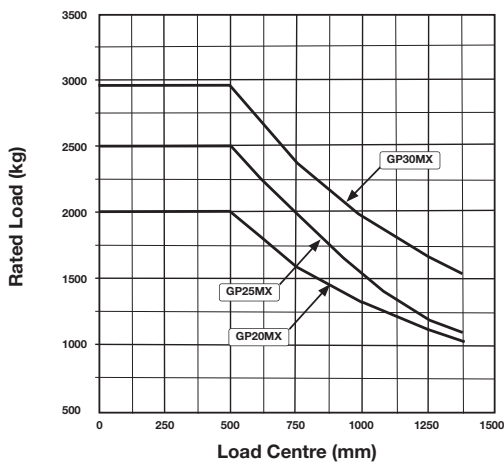
#### Basic truck:

LPG with 1 speed basic transmission and Overhead Guard.

The ratings are computed using fork lengths as follows;

|            | Load centre (mm) | Fork length (mm) |
|------------|------------------|------------------|
| All models | 500 to 775       | 2 x LC           |
|            | Over 775 to 1067 | 1525             |
|            | Over 1067        | 1825             |

### Rated Load vs. Load Centre - Standard Carriage



#### Truck configuration:

3 stage FFL mast at HNHL (4350mm MFH for GDP20-25MX and 4015mm for GDP30MX).  
 1067mm standard carriage with load backrest.

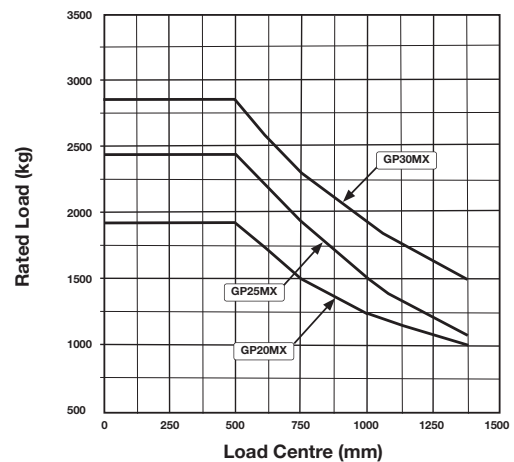
#### Basic truck:

LPG with 1 speed basic transmission and Overhead Guard.

The ratings are computed using fork lengths as follows;

|            | Load centre (mm) | Fork length (mm) |
|------------|------------------|------------------|
| All models | 500 to 775       | 2 x LC           |
|            | Over 775 to 1067 | 1525             |
|            | Over 1067        | 1825             |

### Rated Load vs. Load Centre - ISS Carriage



#### Truck configuration:

3 stage FFL mast at HNHL (4350mm MFH for GDP20-25MX and 4015mm for GDP30MX).  
 1067mm standard carriage with load backrest.

#### Basic truck:

LPG with 1 speed basic transmission and Overhead Guard.

The ratings are computed using fork lengths as follows;

|            | Load centre (mm) | Fork length (mm) |
|------------|------------------|------------------|
| All models | 500 to 775       | 2 x LC           |
|            | Over 775 to 1067 | 1525             |
|            | Over 1067        | 1825             |

## MX20, MX25, MX30 - Standard and Optional Features

| Standard   | Optional  |
|--|---|
| <b>Front End Equipment</b><br>2-Stage limited free lift High Vis™ mast with 3290mm (GP20-25MX) / 3105mm (GP30MX)<br>Hook-type carriage with 1219mm high load backrest (LBR)<br>1000mm long forks   | <b>Front End Equipment</b><br>2-Stage limited free lift High Vis™ masts with up to 4830mm lift height<br>2-Stage full free lift High Vis™ masts with up to 4605mm lift height<br>3-Stage full free lift High Vis™ masts with up to 6000mm lift height<br>Integral side shift (ISS) carriage<br>Fork lengths are available from 1000mm to 1200mm |
| <b>Engine / Drivetrain / Brakes</b><br>PSI 2.4L LPG engine on GLP20-30MX<br>Yanmar 2.6L Diesel engine on GDP20-30MX<br>Automatic transmission with: <ul style="list-style-type: none"> <li>• Mechanical inching</li> <li>• Neutral start function</li> </ul> Lever directional control<br>Self-adjusting drum brakes<br>Super-elastic tyres  | <b>Engine / Drivetrain / Brakes</b><br>Heavy duty clutch<br>Foot Directional Control (FDC)<br>Heavy duty drum brakes<br>Non-marking super-elastic tyre (divided Rim)<br>Premium super-elastic tyre (single piece rim)<br>Pneumatic radial tyre (single piece rim).<br>Note: 2.0-2.5T can take 28 x 9 x 15 tyre                                  |
| <b>Controls and Instrumentation</b><br>Combined inch / brake pedal<br>2-function cowl-mounted hydraulic controls<br>LCD panel with: <ul style="list-style-type: none"> <li>• Hour meter</li> <li>• Fasten seatbelt indicator</li> <li>• Fuel level with low fuel audible alarm (Petrol and Diesel fuel only)</li> <li>• Real time clock</li> </ul> Service Indicators: <ul style="list-style-type: none"> <li>• Service required</li> <li>• Error message</li> <li>• Coolant temperature with high temperature warning buzzer</li> <li>• Alternator with warning buzzer</li> <li>• Transmission oil temperature with warning buzzer</li> <li>• Engine oil pressure with low pressure warning buzzer</li> <li>• Glow lamp (Diesel fuel engine only)</li> <li>• Sedimeter with warning buzzer (Diesel fuel engine only)</li> </ul> | <b>Controls and Instrumentation</b><br>Separate inch-brake and brake pedals for sure handling on steep inclines<br>3-function cowl-mounted hydraulic controls with interlock for clamping<br>4-function cowl-mounted hydraulic controls with or without interlock for clamping<br>Speedometer with speed alarm and warning buzzer               |
| <b>Seats</b><br>Comfort vinyl full suspension seat   | <b>Seats</b><br>Full-suspension vinyl or cloth seat<br>(Cloth seat available with full cabin options)   |
| <b>Cabin</b><br>Over Head Guard (OHG) with rain gutter and cup holder<br>80dB(A) standard noise level for LPG engine option<br>81dB(A) standard noise level for Diesel engine option   | <b>Cabin</b><br>Overhead Guard without Cab – accommodates front, top, rear cab panel options and the PVC doors.<br>Overhead Guard with Cab with steel doors option.<br>Cabs can be retro-fitted.  |
| <b>Environmental</b><br>5in. Cyclone type air cleaner (LPG)<br>6.5in. Cyclone type air cleaner (Diesel)<br>Horizontal exhaust<br>Serpentine core radiator  | <b>Environmental</b><br>Dual element air filter for LPG engine option<br>Tandem air filter for Diesel engine option<br>Vertical exhaust<br>2-way catalytic muffler<br>Spark arrestor muffler<br>Large capacity battery  |
| <b>Other</b><br>Hydraulic cut-out seat interlock (prevents use of hydraulics when operator is not on seat)<br>Electric horn<br>Rubber floor mat<br>Integral tie downs<br>Operator's manual<br>Operator's seat belt<br>Adjustable steering column<br>12 months / 2,000 hours manufacturer's warranty  | <b>Other</b><br>2 rear vision mirrors<br>Rotating flasher beacon<br>Light Kit consisting of 2 Halogen front head lights<br>2 front turn indicators plus rear combination (turn indicators, reversing and brake) lights and reverse alarm<br>Additional front work light<br>Rear work light (switches or reverse operated)                       |

## VDI 2198 - General Specifications 20MX, 25MX, 30MX - Diesel, LPG

|                     |                                     |   |  |                             |                             |                             |             |
|---------------------|-------------------------------------|---|--|-----------------------------|-----------------------------|-----------------------------|-------------|
| Distinguishing mark | 1.1                                 | Manufacturer (abbreviation)                                     |  | Yale                        | Yale                        | Yale                        |             |
|                     | 1.2                                 | Manufacturer's type designation                                 |  | <b>GDP 20MX</b>             | <b>GDP 25MX</b>             | <b>GDP 30MX</b>             |             |
|                     |                                     | Engine  |  | Yanmar 2.6L                 | Yanmar 2.6L                 | Yanmar 2.6L                 |             |
|                     |                                     | Transmission  |  | Standard Electronic 1-speed | Standard Electronic 1-speed | Standard Electronic 1-speed |             |
|                     |                                     | Brake Type  |  | Drum brakes                 | Drum Brakes                 | Drum Brakes                 |             |
|                     | 1.3                                 | Drive: electric (battery or mains), diesel, petrol, LPG         |  | Diesel                      | Diesel                      | Diesel                      |             |
|                     | 1.4                                 | Operator type: hand, pedestrian, standing, seated, order-picker |  | Seat                        | Seat                        | Seat                        |             |
|                     | 1.5                                 | Rated capacity/rated load                                       | Q (t)  | 2.0                         | 2.5                         | 3.0                         |             |
|                     | 1.6                                 | Load centre distance  | c (mm)   | 500                         | 500                         | 500                         |             |
| Weights             | 1.8                                 | Load distance, centre of drive axle to fork                     | x (mm)   | 471                         | 471                         | 478                         |             |
|                     | 1.9                                 | Wheelbase   | y (mm)   | 1623                        | 1623                        | 1700                        |             |
|                     | 2.1                                 | Service weight  | kg   | 3585                        | 3919                        | 4497                        |             |
|                     | 2.2                                 | Axle loading, laden front / rear                                | kg   | 4873 / 712                  | 5590 / 824                  | 6429 / 1016                 |             |
|                     | 2.3                                 | Axle loading, unladen front / rear                              | kg   | 1676 / 1909                 | 1603 / 2316                 | 1779 / 2721                 |             |
|                     | Tyres / chassis                     | 3.1   | Tyres: P = pneumatic, V = cushion, SE = superelastic |                             | SE                          | SE                          | SE          |
|                     |                                     | 3.2   | Tyre size, front                                     |                             | 7.00 x 12-12                | 7.00 x 12-12                | 28 x 9 - 15 |
|                     |                                     | 3.3   | Tyre size, rear                                      |                             | 6.00 x 9                    | 6.00 x 9                    | 6.50 x 10   |
|                     |                                     | 3.5   | Wheels, number front / rear (x = driven wheels)      |                             | 2 x /2                      | 2 x /2                      | 2 x /2      |
| 3.6                 |                                     | Tread, front  | b <sub>10</sub> (mm)                                 | 970                         | 970                         | 970                         |             |
| 3.7                 |                                     | Tread, rear   | b <sub>11</sub> (mm)                                 | 993                         | 993                         | 993                         |             |
| Dimensions          |                                     | 4.1   | Tilt of mast / fork carriage forward / backward      | $\alpha / \beta$ (°)        | 6 / 6                       | 6 / 6                       | 6 / 6       |
|                     | 4.2                                 | Height, mast lowered  | h <sub>1</sub> (mm)                                  | 2170                        | 2170                        | 2195                        |             |
|                     | 4.3                                 | Free lift ▲   | h <sub>2</sub> (mm)                                  | 140                         | 140                         | 150                         |             |
|                     | 4.4                                 | Lift ▲  | h <sub>3</sub> (mm)                                  | 3290                        | 3290                        | 3105                        |             |
|                     | 4.5                                 | Height, mast extended +   | h <sub>4</sub> (mm)                                  | 4515                        | 4515                        | 4335                        |             |
|                     | 4.7                                 | Height of overhead guard (High/Intermediate) ○                  | h <sub>6</sub> (mm)                                  | 2228 / 2188 / 2128          | 2228 / 2188 / 2128          | 2250 / 2210 / 2150          |             |
|                     | 4.7.1                               | Height of Cabin (High/Intermediate) ○                           | h <sub>6</sub> (mm)                                  | 2236 / 2196                 | 2236 / 2196                 | 2236 / 2196                 |             |
|                     | 4.8                                 | Seat height relating to SIP / stand height ✕                    | h <sub>7</sub> (mm)                                  | 1129                        | 1129                        | 1149                        |             |
|                     | 4.12                                | Coupling height   | h <sub>10</sub> (mm)                                 | 349                         | 349                         | 369                         |             |
|                     | 4.19                                | Overall length  | l <sub>1</sub> (mm)                                  | 3528                        | 3589                        | 3696                        |             |
|                     | 4.20                                | Length to face of forks   | l <sub>2</sub> (mm)                                  | 2528                        | 2589                        | 2696                        |             |
|                     | 4.21                                | Overall width   | b <sub>1</sub> / b <sub>2</sub> (mm)                 | 1140                        | 1140                        | 1206                        |             |
|                     | 4.22                                | Fork dimensions ISO 2331  | s/e/l (mm)   | 40 x 100 x 1000             | 40 x 100 x 1000             | 50 x 125 x 1000             |             |
|                     | 4.23                                | Fork carriage ISO 2328, class / type A, B                       |  | IIA                         | IIA                         | IIIA                        |             |
|                     | 4.24                                | Fork carriage width ●   | b <sub>3</sub> (mm)                                  | 1067                        | 1067                        | 1067                        |             |
|                     | 4.31                                | Ground clearance, laden, below mast                             | m <sub>1</sub> (mm)                                  | 80                          | 80                          | 100                         |             |
|                     | 4.32                                | Ground clearance, centre of wheelbase                           | m <sub>2</sub> (mm)                                  | 190                         | 190                         | 210                         |             |
|                     | Performance data                    | 4.34.1  | Aisle width for pallets 1000 x 1200 crossways        | A <sub>st</sub> (mm)        | 3849                        | 3907                        | 4002        |
|                     |                                     | 4.34.2  | Aisle width for pallets 800 x 1200 crossways         | A <sub>st</sub> (mm)        | 4049                        | 4107                        | 4202        |
| 4.35                |                                     | Turning radius  | W <sub>a</sub> (mm)                                  | 2178                        | 2236                        | 2324                        |             |
| 4.36                |                                     | Internal turning radius   | b <sub>13</sub> (mm)                                 | 629                         | 629                         | 618                         |             |
| 4.43                |                                     | Step height   | (mm)   | 415                         | 415                         | 435                         |             |
| 5.1                 |                                     | Travel speed, laden / unladen                                   | km/h   | 17.3 / 17.5                 | 17.3 / 17.5                 | 18.7 / 18.9                 |             |
| 5.2                 |                                     | Lift speed, laden / unladen                                     | m/s  | 0.66 / 0.69                 | 0.65 / 0.68                 | 0.58 / 0.61                 |             |
| 5.3                 |                                     | Lowering speed, laden / unladen                                 | m/s  | 0.58 / 0.50                 | 0.58 / 0.50                 | 0.58 / 0.50                 |             |
| 5.5                 |                                     | Drawbar pull, laden / unladen                                   | N  | 15.0 / 10.5                 | 14.8 / 10.1                 | 13.4 / 11.6                 |             |
| 5.7                 |                                     | Gradeability, laden / unladen *                                 | %  | 18.1 / 29.6                 | 15.3 / 26.2                 | 12.3 / 21.8                 |             |
| 5.9                 | Acceleration time, laden/unladen ** | s   | 4.6 / 4.2  | 4.9 / 4.3                   | 5.3 / 4.5                   |                             |             |
| 5.10                | Service brake                       |   | Hydraulic  | Hydraulic                   | Hydraulic                   |                             |             |
| Combustion engine   | 7.1                                 | Engine manufacturer/type  |  | Yanmar 2.6L                 | Yanmar 2.6L                 | Yanmar 2.6L                 |             |
|                     | 7.2                                 | Engine power according to ISO 1585                              | kW   | 33.0                        | 33.0                        | 33.0                        |             |
|                     | 7.3                                 | Rated speed   | rpm  | 2350                        | 2350                        | 2350                        |             |
|                     | 7.4                                 | Number of cylinders/displacements                               | (-) cm <sup>3</sup>                                  | 4 / 2659                    | 4 / 2659                    | 4 / 2659                    |             |
|                     | 7.5                                 | Fuel consumption according to VDI cycle                         | l/h or kg/h  | 2.7                         | 3.1                         | 3.5                         |             |
| Addition data       | 8.1                                 | Type of drive unit  |  | Automatic                   | Automatic                   | Automatic                   |             |
|                     | 10.1                                | Operating pressure for attachments                              | bar  | 0-155                       | 0-155                       | 0-155                       |             |
|                     | 10.2                                | Oil volume for attachments                                      | l/min  | 60                          | 60                          | 60                          |             |
|                     | 10.3                                | Hydraulic oil tank, capacity                                    | litres   | 42                          | 42                          | 42                          |             |
|                     | 10.4                                | Fuel tank, capacity   | litres   | 69                          | 69                          | 69                          |             |
|                     | 10.7                                | Sound pressure level at the driver's seat ★                     | dB(A)  | 79                          | 79                          | 79                          |             |
|                     | 10.7.1                              | Sound power level during the workcycle                          | dB(A)  | 104                         | 104                         | 104                         |             |
|                     | 10.8                                | Towing coupling, type DIN                                       |  | Pin                         | Pin                         | Pin                         |             |

▲ Top of forks.

+ W/o load backrest.

○ h<sub>6</sub> subject to +/- 5 mm tolerance.

✕ Full suspension seat in depressed position.

● add 32mm with load backrest.

\* at 1.6km/h.

\*\* at 4.8km/h.

★ LPAZ measured according to the test cycles and based on the weighting values contained in EN12053.

| Yale                        | Yale                        | Yale                        |                                      | Manufacturer (abbreviation)                                     | 1.1    | Distinguishing mark |
|-----------------------------|-----------------------------|-----------------------------|--------------------------------------|---|--------|---------------------|
| <b>GLP 20MX</b>             | <b>GLP 25MX</b>             | <b>GLP 30MX</b>             |                                      | Manufacturer's type designation                                 | 1.2    |                     |
| PSI 2.4L                    | PSI 2.4L                    | PSI 2.4L                    |                                      | Engine  |        |                     |
| Standard Electronic 1-speed | Standard Electronic 1-speed | Standard Electronic 1-speed |                                      | Transmission  |        |                     |
| Drum Brakes                 | Drum Brakes                 | Drum Brakes                 |                                      | Brake Type  |        |                     |
| LPG                         | LPG                         | LPG                         |                                      | Drive: electric (battery or mains), diesel, petrol, LPG         | 1.3    |                     |
| Seat                        | Seat                        | Seat                        |                                      | Operator type: hand, pedestrian, standing, seated, order-picker | 1.4    |                     |
| 2.0                         | 2.5                         | 3.0                         | Q (t)                                | Rated capacity/rated load                                       | 1.5    |                     |
| 500                         | 500                         | 500                         | c (mm)                               | Load centre distance  | 1.6    |                     |
| 471                         | 471                         | 478                         | x (mm)                               | Load distance, centre of drive axle to fork                     | 1.8    |                     |
| 1623                        | 1623                        | 1700                        | y (mm)                               | Wheelbase   | 1.9    |                     |
| 3545                        | 3880                        | 4457                        | kg                                   | Service weight  | 2.1    | Weights             |
| 4853 / 692                  | 5570 / 804                  | 6409 / 996                  | kg                                   | Axle loading, laden front / rear                                | 2.2    |                     |
| 1656 / 1889                 | 1583 / 2296                 | 1759 / 2701                 | kg                                   | Axle loading, unladen front / rear                              | 2.3    |                     |
| SE                          | SE                          | SE                          |                                      | Tyres: P = pneumatic, V = cushion, SE = superelastic            | 3.1    | Tyres / chassis     |
| 7.00 x 12-12                | 7.00 x 12-12                | 28 x 9 - 15                 |                                      | Tyre size, front  | 3.2    |                     |
| 6.00 x 9                    | 6.00 x 9                    | 6.50 x 10                   |                                      | Tyre size, rear   | 3.3    |                     |
| 2 x /2                      | 2 x /2                      | 2 x /2                      |                                      | Wheels, number front / rear (x = driven wheels)                 | 3.5    |                     |
| 970                         | 970                         | 970                         | b <sub>10</sub> (mm)                 | Tread, front  | 3.6    |                     |
| 993                         | 993                         | 993                         | b <sub>11</sub> (mm)                 | Tread, rear   | 3.7    |                     |
| 6 / 6                       | 6 / 6                       | 6 / 6                       | α / β (°)                            | Tilt of mast / fork carriage forward / backward                 | 4.1    |                     |
| 2170                        | 2170                        | 2195                        | h <sub>1</sub> (mm)                  | Height, mast lowered  | 4.2    | Dimensions          |
| 140                         | 140                         | 150                         | h <sub>2</sub> (mm)                  | Free lift ▲   | 4.3    |                     |
| 3290                        | 3290                        | 3105                        | h <sub>3</sub> (mm)                  | Lift ▲  | 4.4    |                     |
| 4515                        | 4515                        | 4335                        | h <sub>4</sub> (mm)                  | Height, mast extended ▬   | 4.5    |                     |
| 2228 / 2188 / 2128          | 2228 / 2188 / 2128          | 2250 / 2210 / 2150          | h <sub>6</sub> (mm)                  | Height of overhead guard (High/Intermediate) ○                  | 4.7    |                     |
| 2236 / 2196                 | 2236 / 2196                 | 2258 / 2218                 | h <sub>6</sub> (mm)                  | Height of Cabin (High/Intermediate) ○                           | 4.7.1  |                     |
| 1129                        | 1129                        | 1149                        | h <sub>7</sub> (mm)                  | Seat height relating to SIP / stand height ✕                    | 4.8    |                     |
| 349                         | 349                         | 369                         | h <sub>10</sub> (mm)                 | Coupling height   | 4.12   |                     |
| 3528                        | 3589                        | 3696                        | l <sub>1</sub> (mm)                  | Overall length  | 4.19   |                     |
| 2528                        | 2589                        | 2696                        | l <sub>2</sub> (mm)                  | Length to face of forks   | 4.20   |                     |
| 1140                        | 1140                        | 1206                        | b <sub>1</sub> / b <sub>2</sub> (mm) | Overall width   | 4.21   |                     |
| 40 x 100 x 1000             | 40 x 100 x 1000             | 50 x 125 x 1000             | s/e/l (mm)                           | Fork dimensions ISO 2331  | 4.22   |                     |
| IIA                         | IIA                         | IIIA                        |                                      | Fork carriage ISO 2328, class / type A, B                       | 4.23   |                     |
| 1067                        | 1067                        | 1067                        | b <sub>3</sub> (mm)                  | Fork carriage width ●   | 4.24   |                     |
| 80                          | 80                          | 100                         | m <sub>1</sub> (mm)                  | Ground clearance, laden, below mast                             | 4.31   |                     |
| 190                         | 190                         | 210                         | m <sub>2</sub> (mm)                  | Ground clearance, centre of wheelbase                           | 4.32   |                     |
| 3849                        | 3907                        | 4002                        | A <sub>st</sub> (mm)                 | Aisle width for pallets 1000 × 1200 crossways                   | 4.34.1 |                     |
| 4049                        | 4107                        | 4202                        | A <sub>st</sub> (mm)                 | Aisle width for pallets 800 × 1200 crossways                    | 4.34.2 |                     |
| 2178                        | 2236                        | 2324                        | W <sub>a</sub> (mm)                  | Turning radius  | 4.35   |                     |
| 629                         | 629                         | 618                         | b <sub>13</sub> (mm)                 | Internal turning radius   | 4.36   |                     |
| 415                         | 415                         | 435                         | (mm)                                 | Step height   | 4.43   |                     |
| 18.4 / 18.6                 | 18.4 / 18.6                 | 19.8 / 20.0                 | km/h                                 | Travel speed, laden / unladen                                   | 5.1    | Performance data    |
| 0.65 / 0.68                 | 0.65 / 0.68                 | 0.57 / 0.60                 | m/s                                  | Lift speed, laden / unladen                                     | 5.2    |                     |
| 0.58 / 0.50                 | 0.58 / 0.50                 | 0.58 / 0.50                 | m/s                                  | Lowering speed, laden / unladen                                 | 5.3    |                     |
| 18.6 / 10.5                 | 18.4 / 10.1                 | 16.8 / 11.6                 | N                                    | Drawbar pull, laden / unladen                                   | 5.5    |                     |
| 23.9 / 30.2                 | 20.2 / 26.5                 | 16.2 / 26.1                 | %                                    | Gradeability, laden / unladen *                                 | 5.7    |                     |
| 4.7 / 4.4                   | 5.0 / 4.4                   | 5.4 / 4.6                   | s                                    | Acceleration time, laden/unladen **                             | 5.9    |                     |
| Hydraulic                   | Hydraulic                   | Hydraulic                   |                                      | Service brake   | 5.10   |                     |
| PSI 2.4L                    | PSI 2.4L                    | PSI 2.4L                    |                                      | Engine manufacturer/type  | 7.1    | Combustion engine   |
| 46.0                        | 46.0                        | 46.0                        | kW                                   | Engine power according to ISO 1585                              | 7.2    |                     |
| 2700                        | 2700                        | 2700                        | rpm                                  | Rated speed   | 7.3    |                     |
| 4 / 2351                    | 4 / 2351                    | 4 / 2351                    | (-) cm <sup>3</sup>                  | Number of cylinders/displacements                               | 7.4    |                     |
| 2.5                         | 2.8                         | 3.1                         | l/h or kg/h                          | Fuel consumption according to VDI cycle                         | 7.5    |                     |
| Automatic                   | Automatic                   | Automatic                   |                                      | Type of drive unit  | 8.1    |                     |
| 0-155                       | 0-155                       | 0-155                       | bar                                  | Operating pressure for attachments                              | 10.1   | Addition data       |
| 60                          | 60                          | 60                          | l/min                                | Oil volume for attachments                                      | 10.2   |                     |
| 42                          | 42                          | 42                          | litres                               | Hydraulic oil tank, capacity                                    | 10.3   |                     |
| -                           | -                           | -                           | litres                               | Fuel tank, capacity   | 10.4   |                     |
| 79                          | 79                          | 79                          | dB(A)                                | Sound pressure level at the driver's seat ★                     | 10.7   |                     |
| 102                         | 102                         | 102                         | dB(A)                                | Sound power level during the workcycle                          | 10.7.1 |                     |
| Pin                         | Pin                         | Pin                         |                                      | Towing coupling, type DIN                                       | 10.8   |                     |

All values are nominal values and they are subject to tolerances.  
For further information, please contact the manufacturer.

Yale products might be subject to change without notice.  
Lift trucks illustrated may feature optional equipment.

Values may vary with alternative configurations.

# MX series

Models: GDP/GLP 20MX, 25MX, 30MX



## HYSTER-YALE UK LIMITED

trading as **Yale Europe Materials Handling**  
Centennial House, Frimley Business Park,  
Frimley, Surrey GU16 7SG, United Kingdom.


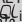
Tel: +44 (0) 1276 538500  
Fax: +44 (0) 1276 538559

[www.yale-forklifts.eu](http://www.yale-forklifts.eu)



Publication part no. 220990474 Rev.02 Printed in The Netherlands (0218HG) EN.

**Safety:** This truck conforms to the current EU requirements. Specification is subject to change without notice.

Yale, VERACITOR and  are registered trademarks. "PEOPLE, PRODUCTS, PRODUCTIVITY", PREMIER, Hi-Vis, and CSS are trademarks in the United States and certain other jurisdictions. MATERIALS HANDLING CENTRAL and MATERIAL HANDLING CENTRAL are Service Marks in the United States and certain other jurisdictions.  is a Registered Copyright.

©Yale Europe Materials Handling 2018. All rights reserved. Truck shown with optional equipment.  
Country of Registration: England and Wales. Company Registration Number: 02636775